

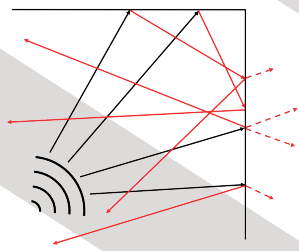
SIDEXALT

ACOUSTIC

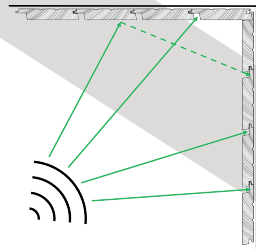
INSPIRED BY THE EUROPEAN "CLAIRE-VOIE"
REDESIGNED TO SOUNDPROOF

FEATURES

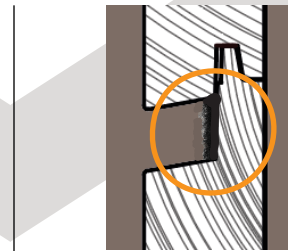
- ≡ HORIZONTAL OR VERTICAL INSTALLATION
- ≡ WALL OR CEILING INSTALLATION
- ≡ INCREASED THICKNESS FOR OPTIMIZED STABILITY
- ≡ WIDE SQUARE JOINT AND DEEP CAVITY
- ≡ HIDDEN FIXTURES
- ≡ DEPTH EFFECT ACCENTUATED BY BLACK BACKGROUND
- ≡ SOUND-ABSORBING FELT STRIP FOR IMPROVES SOUND ABSORPTION BY 60% TO 125% DEPENDING ON THE WIDTH OF THE PANELING.



WITHOUT SidEXALT



WITH SidEXALT Acoustic

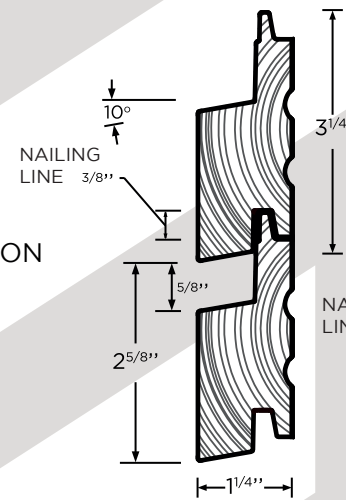


*SOUNDPROOFING FELT STRIP.

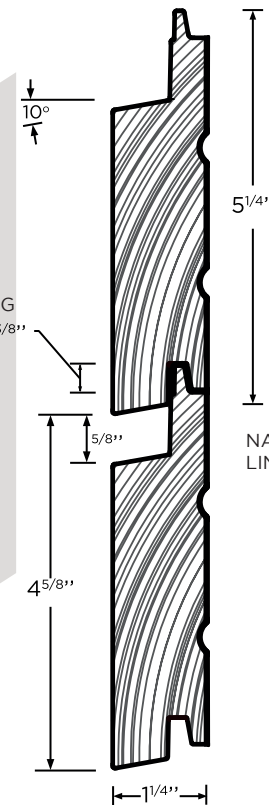
AVAILABLE OPTIONS

- ≡ 3 COMBINABLE WIDTHS : 4", 6", 8"
- ≡ 3 SPECIES : RED CEDAR, WHITE CEDAR, WHITE PINE
- ≡ 3 TEXTURES : ROUGH, BRUSHED, SANDBLASTED
- ≡ 3 FINISHES : OPAQUE, TWO-TONE, SEMI-TRANSPARENT
- ≡ CUSTOM COLORS

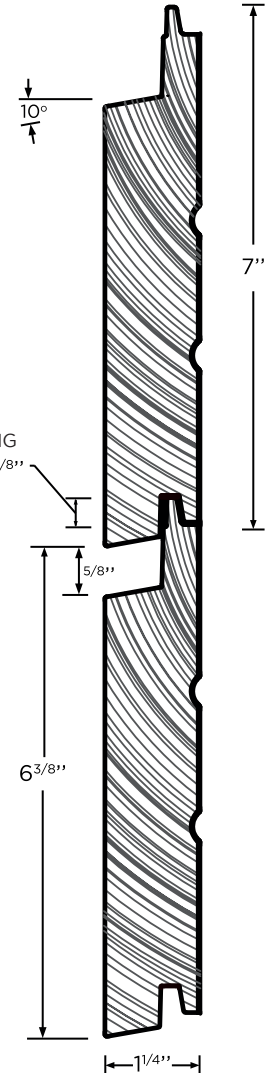
EXALTO014
4"



EXALTO016
6"



EXALTO018
8"



GOOD TO KNOW

Reduce paneling width (increasing the number of joints with soundproofing strips) and add insulating behind the paneling improves sound absorption.