

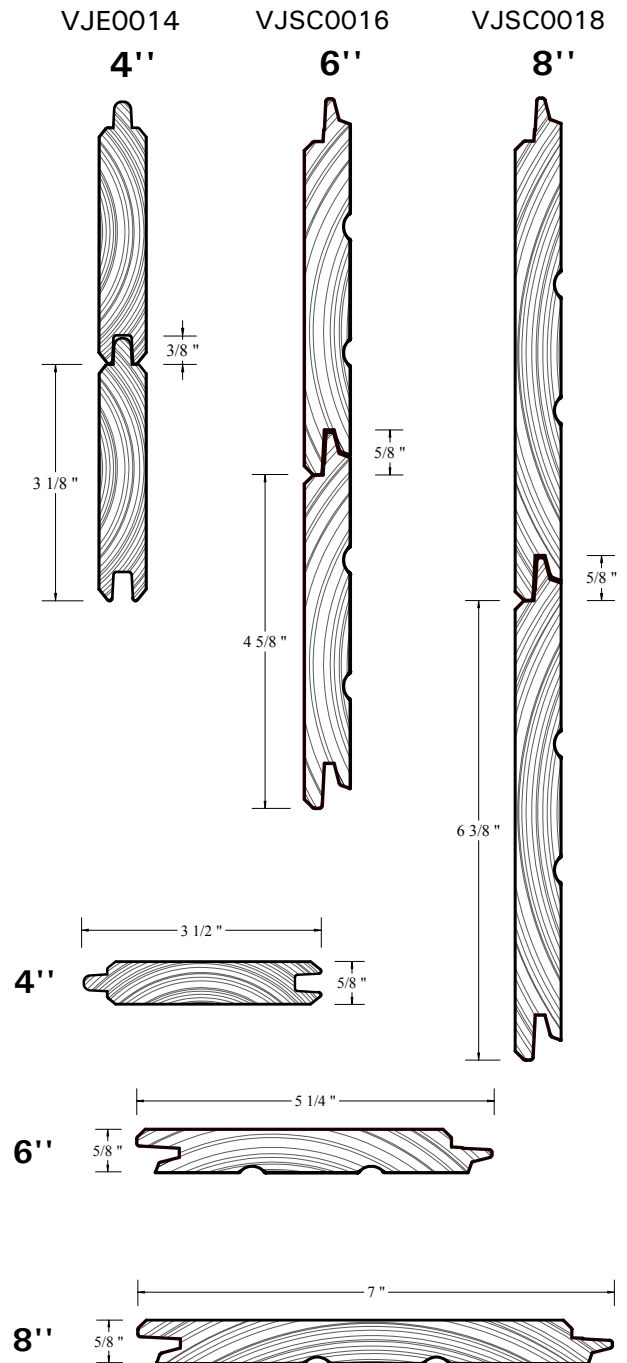


THE ART OF SIDING

TONGUE & GROOVE (SPRUCE)

V-JOINT

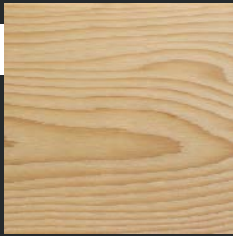
VJSC



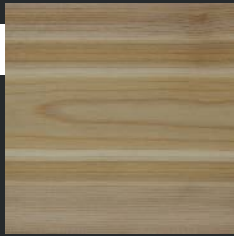
OTHER SPECIFICATIONS

Please refer our website's siding design tool to browse potential combinations and other available options.

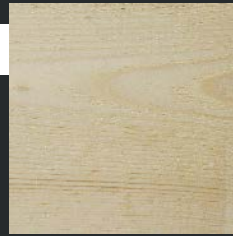
SPECIES



WHITE CEDAR



RED CEDAR



SPRUCE

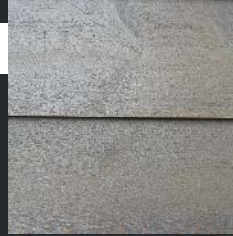
WIDTHS



4"



6"



8"

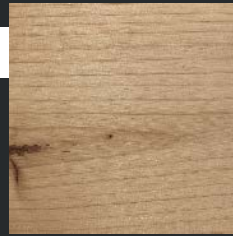
FINISHES



TEXTURED



BRUSHED



SANDED

COATINGS



OPAQUE



TWO-TONE



SEMI-TRANSPARENT

WARRANTIES



OPAQUE



TWO-TONE



SEMI-TRANSPARENT



Siding stained on 6 surfaces.
4-16' lengths (min. 75% of 14-16' for standard spruce products).
Drying 10-12% RH.

* Conditions apply.